

KR Electronics 2657-BNC Bandpass Filter

General Description

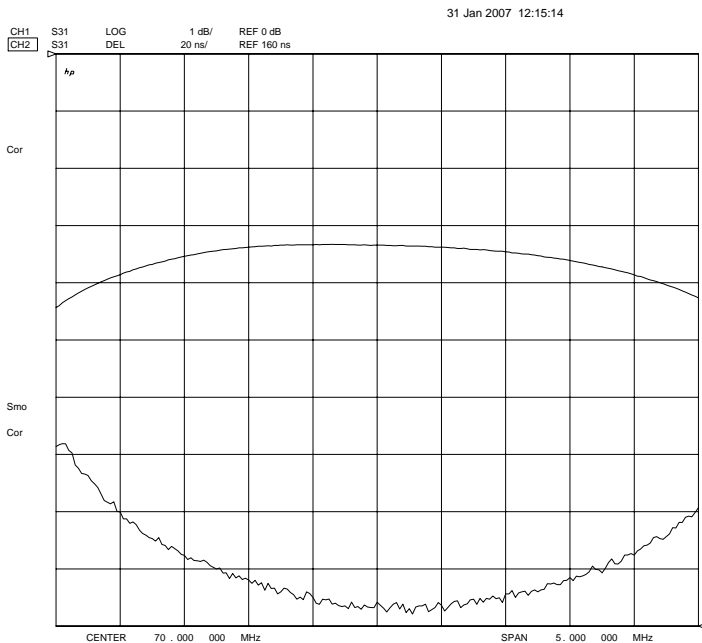
KR 2657-BNC is a 70 MHz bandpass filter with BNC Connectors. Other center frequencies and bandwidths available. Also available in a surface mount package. Please consult the factory.

Features

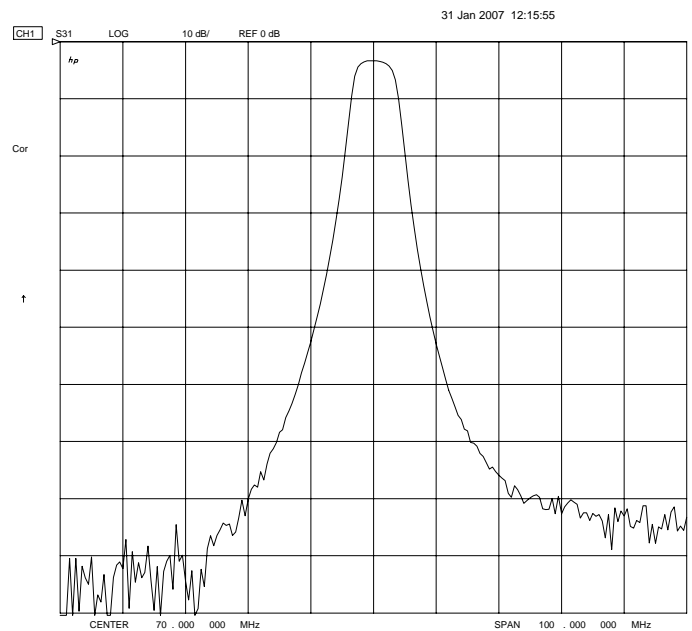
- 70 MHz Center Frequency
- 3 dB Bandwidth, 5 MHz min
- BNC Connectors
- 50 Ω Source and Load

Typical Performance

Passband Amplitude & Group Delay (1 dB/div and 20 nsec/div)



Overall Response (10 dB/div)



KR Electronics, Inc.
91 Avenel Street
Avenel, NJ 07001

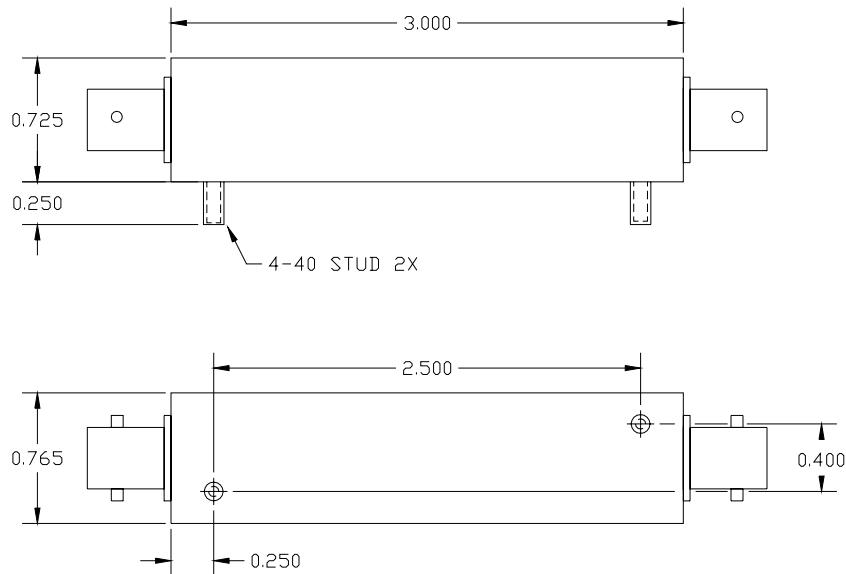
Web www.krfilters.com
Email sales@krfilters.com
Phone (732) 636-1900
Fax (732) 636-1982

KR Electronics 2657-BNC Bandpass

Specifications

Parameter	Specification	Typical
Filter type	Bandpass	
Center Frequency	70 MHz	
Insertion Loss	< 5 dB	3.4 dB
3 dB Bandwidth	5 MHz min	6.2 MHz
10 dB Bandwidth	11 MHz max	8.0 MHz
40 dB Bandwidth		15.5 MHz
60 dB Bandwidth	30 MHz max	24.0 MHz
Source and Load	50 Ω	

Physical Dimensions



Notes:

1. Dimensions in inches
2. Can also be supplied in a surface mount package